

1

2

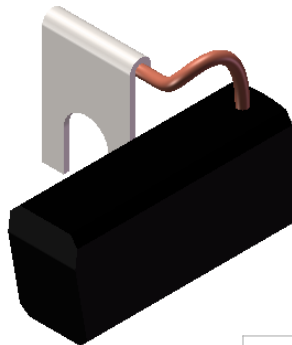
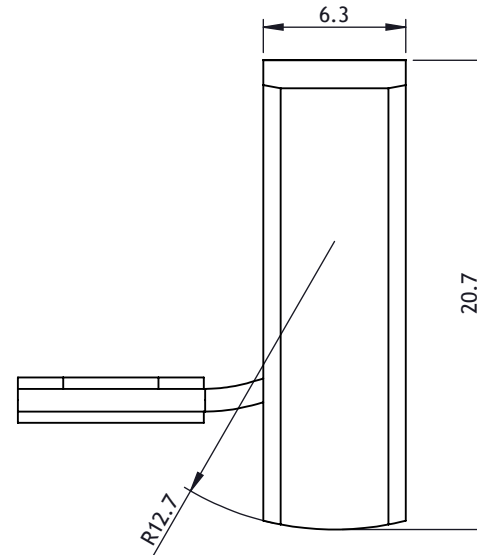
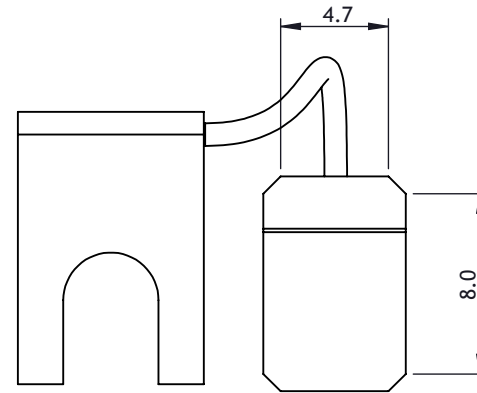
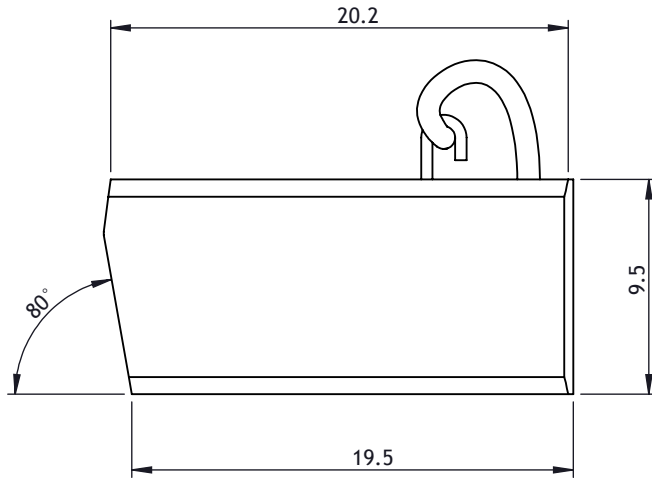
3

4

5

6

ISS	DATE	CHANGE REF	DRAWN	CHCKD	LAST CHANGE DETAILS	
A	15/10/2013	--	KKh	PBa	FIRST ISSUE	



ISOMETRIC VIEW
SCALE 2:1

		A4
DIMENSIONS mm		
DRAWN BY	DATE	
KKh	15/10/13	
CHECKED	DATE	
PBa	15/10/13	

TOLERANCES UNLESS OTHERWISE STATED

DIMS
0. = ± 0.5
0.0 = ± 0.25
0.00 = ± 0.10
ANGULAR = ± 0.5°

SURFACE FINISH
1.6 max

SHEET
1 OF 1

USED ON
--

SCALE
3:1

UNLESS OTHERWISE STATED
REMOVE BURRS & SHARP EDGES.
DIMENSIONS APPLY AFTER TREATING
IF IN DOUBT, ASK

MATERIAL
COPPER GRAPHITE CM5H

FINISH
FREE FROM BURRS & SCRATCHES

PARVALUX
ESTABLISHED 1947

WALLISDOWN, BOURNEMOUTH, DORSET
BH11 8PU, ENGLAND
TELEPHONE +44 (0) 1202 512575
FAX +44 (0) 1202 530885
E-mail: sales@parvalux.co.uk
Web: www.parvalux.co.uk

DESCRIPTION
CARBON BRUSH

STATUS
IN USE

DRAWING NUMBER
52340

A

B

C

D